

# BUSTER+PUNCH

LONDON

[ product. ]

## TOILET ROLL HOLDER / CAST

[ process. **ROUGH-CAST.** ]

[ range. **CAST BATHROOM.** ]

[ born. **LONDON.** ]

A toilet roll holder with a rough-cast knuckle and hand polished solid metal bar. All refined by hand.

Available in steel, brass, gun metal and welders black.



---

[ type. **TOILET ROLL HOLDER.** ]

---

[ info. **MEASUREMENTS.** ]

---

5 mm  
/ 0.19"



41 mm  
/ 1.61"

84.5 mm  
/ 3.32"

155.5 mm  
/ 6.12"



29 mm Ø  
/ 1.14" Ø

55 mm Ø  
/ 2.16" Ø

---

[ info. **SPECIFICATIONS.** ]

---

A toilet roll holder made from solid metal and featuring a cast solid metal knuckle and hand polished solid metal bar, with spun metal end cap.

Available in steel, brass, gun metal and welders black, with durable finishes that make it suitable for bathroom use.

Please note, this toilet roll holder is front mounted and fixing screws are not supplied. You will need to source fixings suitable for the wall you are installing the toilet roll holder on.


---

[ info. **FINISH & SKU NUMBERS.** ]

---

[ finish. ]

[ sku. ]

 Steel	UTA-071288
 Brass	UTA-051289
 Gun Metal	UTA-351290
 Welders Black	UTA-481291

---

[ info. **CARE INSTRUCTIONS.** ]

---

Clean regularly with a soft, dry cloth or duster. Wash periodically using a soft cloth and mild soapy water then dry immediately with a clean, soft cloth. Rubbing or wiping should be carried out in the direction of the polish lines, not across them. DO NOT use oily rags or greasy cloths when wiping the product surface. All finishes prone to ageing.

---

[ info. **INCLUDED.** ]

---

**1 x Toilet roll holder**

---

[ info. **RECOMMENDED.** ]

---

For Installation:

4 x M4 countersunk screws

M4 wall plugs

Hammer action drill with masonry bit (for masonry walls)

Impact driver with drill bit (for stud walls)

For heavier loads it is recommended that longer screws & wall plugs are used

---

[ please. **NOTE.** ]

---

DISCLAIMER: Always consult a trade professional when installing this toilet roll holder. Buster + Punch is not responsible for the usage or feasibility of installation requirements.

# BUSTER+PUNCH

LONDON

[ product. ]

## TOILET ROLL HOLDER / WITH SHELF / CAST

[ process. **ROUGH-CAST.** ]

[ range. **CAST BATHROOM.** ]

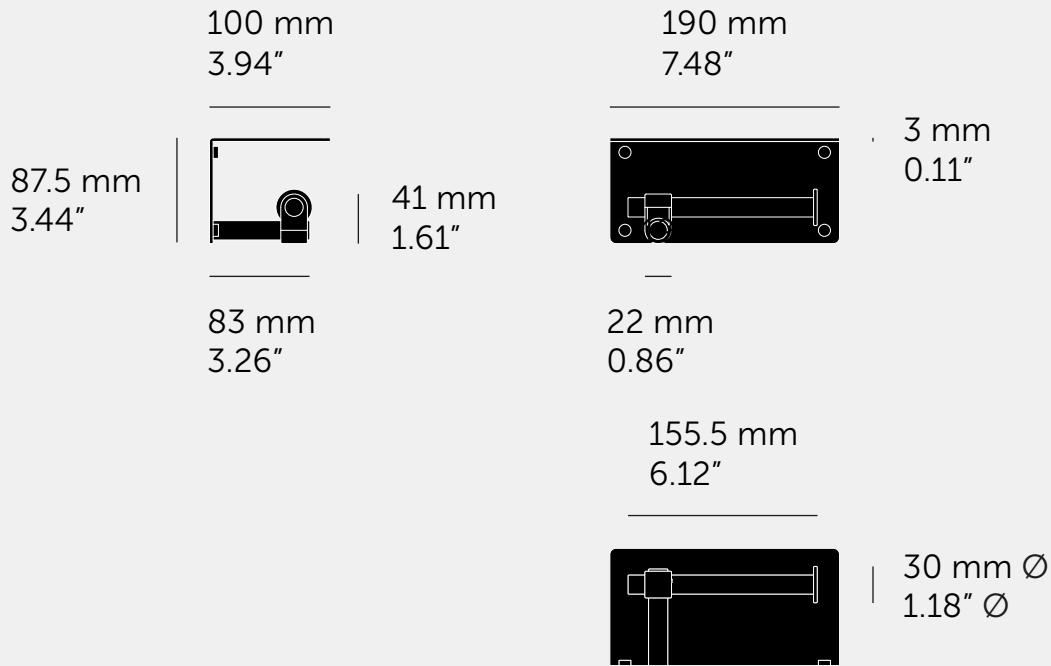
[ born. **LONDON.** ]

A toilet roll holder + shelf with a rough-cast knuckle, hand polished solid metal shelf, and hand polished solid metal bar.  
Available in steel, brass, gun metal and welders black.



[ type. **TOILET ROLL HOLDER/ WITH SHELF.** ]

[ info. **MEASUREMENTS.** ]



[ info. **SPECIFICATIONS.** ]

A toilet roll holder with shelf made from solid metal and featuring a hand polished metal shelf, cast solid metal knuckle and hand polished solid metal bar, with spun metal end cap.

Available in steel, brass, gun metal and welders black, with durable finishes that make it suitable for bathroom use.

Please note, this toilet roll holder is front mounted and fixing screws are not supplied. You will need to source fixings suitable for the wall you are installing the toilet roll holder on.

[ info. **FINISH & SKU NUMBERS.** ]

[ finish. ]

[ sku. ]

 Steel	UTA-072157
 Brass	UTA-052158
 Gun Metal	UTA-352159
 Welders Black	UTA-592160

[ info. **CARE INSTRUCTIONS.** ]

Clean regularly with a soft, dry cloth or duster. Wash periodically using a soft cloth and mild soapy water then dry immediately with a clean, soft cloth. Rubbing or wiping should be carried out in the direction of the polish lines, not across them. DO NOT use oily rags or greasy cloths when wiping the product surface. All finishes prone to ageing.

[ info. **INCLUDED.** ]

**1 x Toilet roll holder with shelf**

4 x M4 x 40 mm screws with cap

[ info. **RECOMMENDED.** ]

For Installation:

M4 wall plugs

Hammer action drill with masonry bit (for masonry walls)

Impact driver with drill bit (for stud walls)

[ please. **NOTE.** ]

DISCLAIMER: Always consult a trade professional when installing this toilet roll holder. Buster + Punch is not responsible for the usage or feasibility of installation requirements.