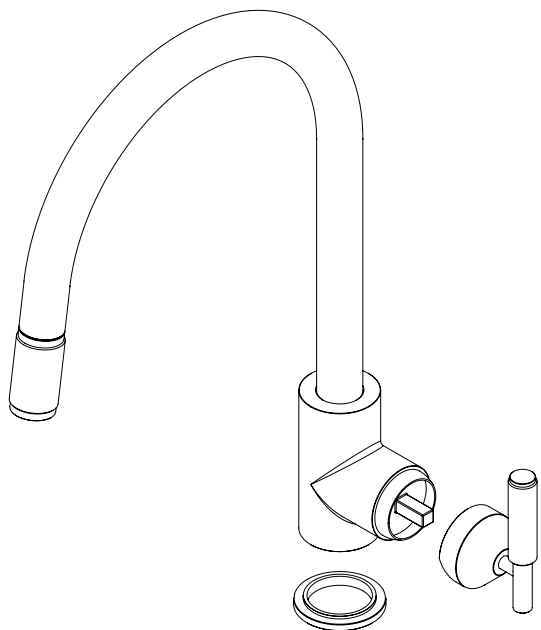


**BUSTER+PUNCH**  
LONDON

**KITCHEN TAP /  
MIXER WITH PULL OUT SPRAY**  
PREPARATION AND INSTALLATION  
INSTALLATION MANUAL



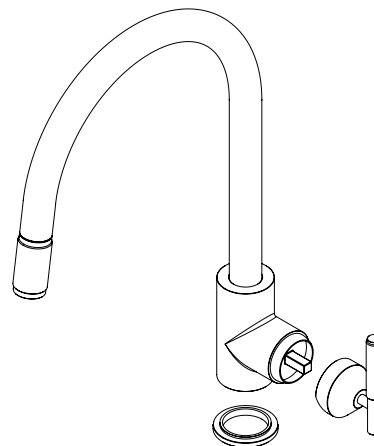
**DISCLAIMER: THIS PRODUCT IS NOT  
SUITABLE FOR COMMERCIAL USE.**

**BUSTERANDPUNCH.COM**  
L0237

**MINIMUM RECOMMENDED WATER PRESSURE: 7.25PSI (0.5 BAR)**  
**MAXIMUM RECOMMENDED WATER PRESSURE: 72PSI (5 BAR)**  
**RECOMMENDED HOT WATER TEMPERATURE: 70°C (158°F)**  
**RECOMMENDED TEMPERATURE RANGE: 5 - 60°C (41 - 140°F)**



**NOTE: EXCEEDING THESE TEMPERATURES OR WATER PRESSURES CAN RESULT IN DAMAGE TO THE TAP. A PRESSURE REDUCING VALVE MAY BE REQUIRED TO BE FITTED IN HIGH WATER PRESSURE SITUATIONS.**



**NOTE: INSTALLATION INSTRUCTION MANUAL  
APPLICABLE FOR US SINGLE MIXER TAPS SUPPLIED  
BY BUSTER + PUNCH. PRODUCT VARIATIONS  
COVERED BY THIS INSTRUCTION MANUAL ARE  
LISTED BELOW:**

*KITCHEN TAP (WARM/COLD) / CROSS / SINGLE MIXER  
KITCHEN TAP (WARM/COLD) / LINEAR / SINGLE MIXER*

## PREPARATION

BEFORE INSTALLING THE NEW MIXER IT IS ESSENTIAL THAT YOU THOROUGHLY FLUSH THROUGH THE SUPPLY PIPES IN ORDER TO REMOVE ANY REMAINING SWarf, SOLDER OR OTHER IMPURITIES.

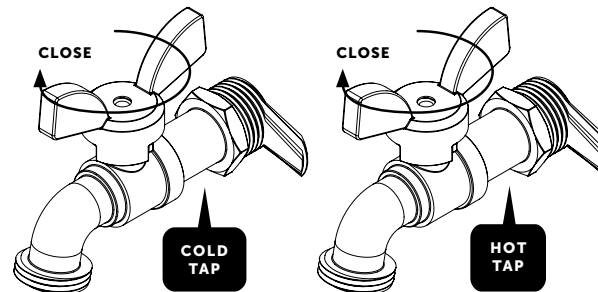
FAILURE TO CARRY OUT THIS SIMPLE PROCEDURE COULD CAUSE PROBLEMS OR DAMAGE TO THE WORKINGS OF THE MIXER.

HAVING FIRST CHECKED ALL NEW CONNECTIONS, TURN ON THE MAINS STOPCOCK, CLOSE ALL TAPS EXCEPT THE NEW MIXER AND AS THE SYSTEM STARTS TO REFILL CHECK FOR LEAKS.

ONCE YOU HAVE SATISFIED YOURSELF THAT THERE ARE NO LEAKS, SWITCH ON THE WATER HEATING.

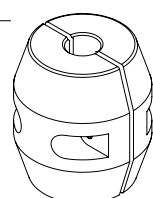
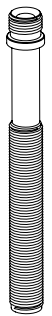
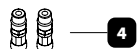
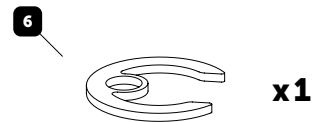
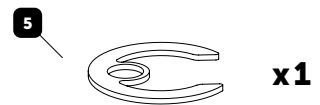
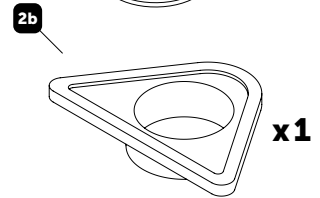
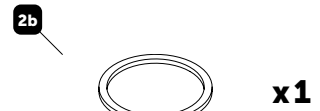
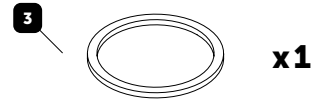
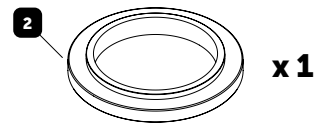
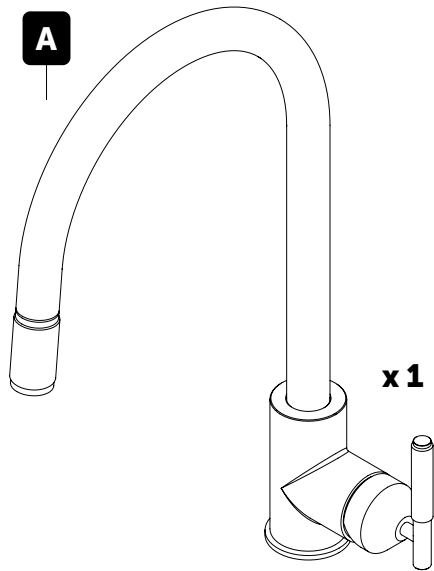
FIRST SHUT OFF YOUR WATER HEATING SYSTEM THEN, WITH YOUR MAINS STOPCOCK CLOSED, OPEN THE LOWEST HOT AND COLD TAPS IN THE HOUSE AND ALLOW TO RUN UNTIL THE COLD STORAGE TANK AND PIPES ARE EMPTY (THE HOT WATER STORAGE CYLINDER ALWAYS REMAINS FULL).

FOR INSTALLATIONS IN EUROPE, PLEASE USE HOSES LABELLED **CKT-012576**.



**DISCLAIMER:  
PLEASE CONTACT YOUR  
LOCAL PLUMBER WHEN  
INSTALLING.**

CONTENTS



x2

x1

x1

x1

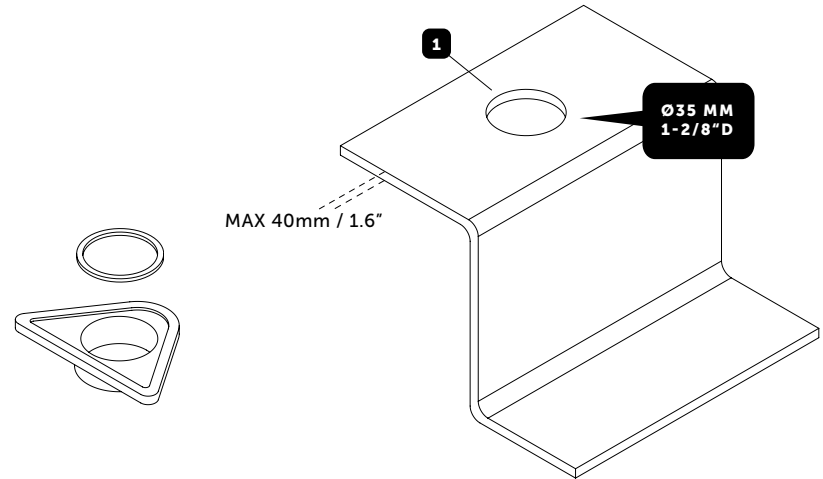
x1

x1

x1

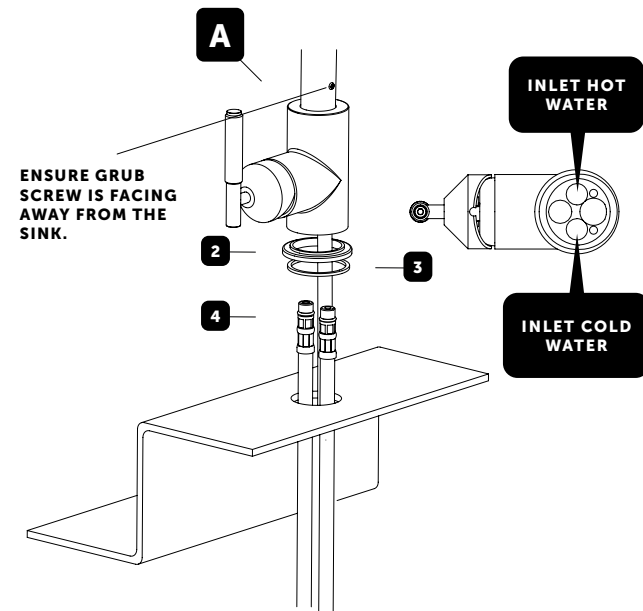
x1

1

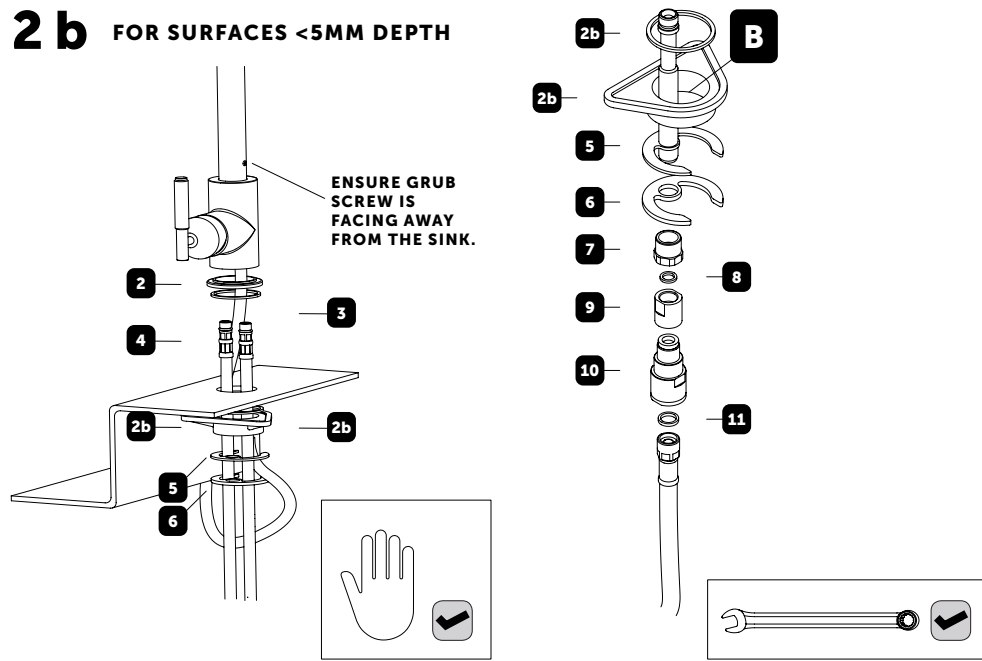


FOR SURFACES <5MM USE THE TAP BRACE & O-RING PROVIDED

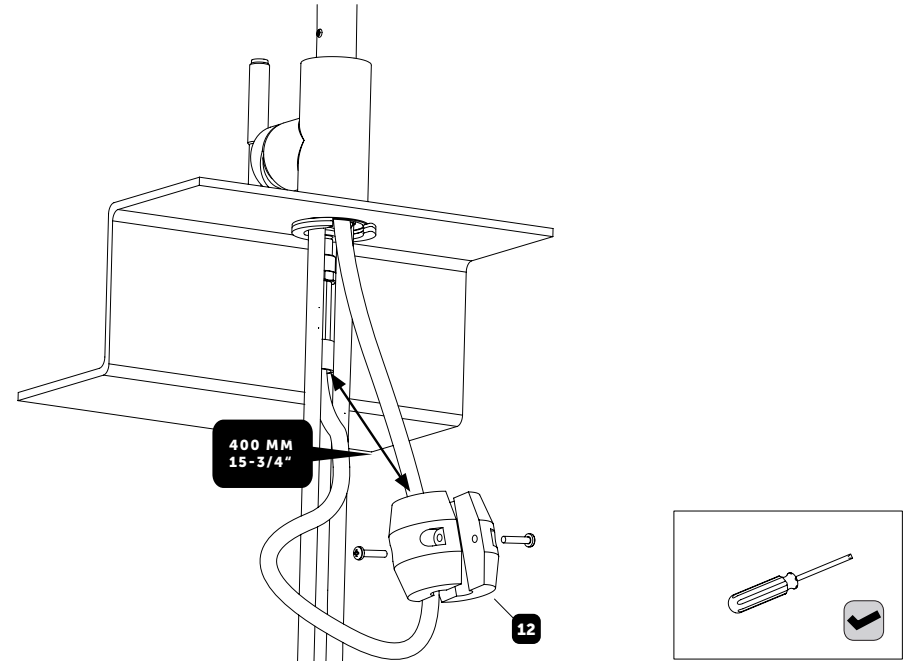
2 a



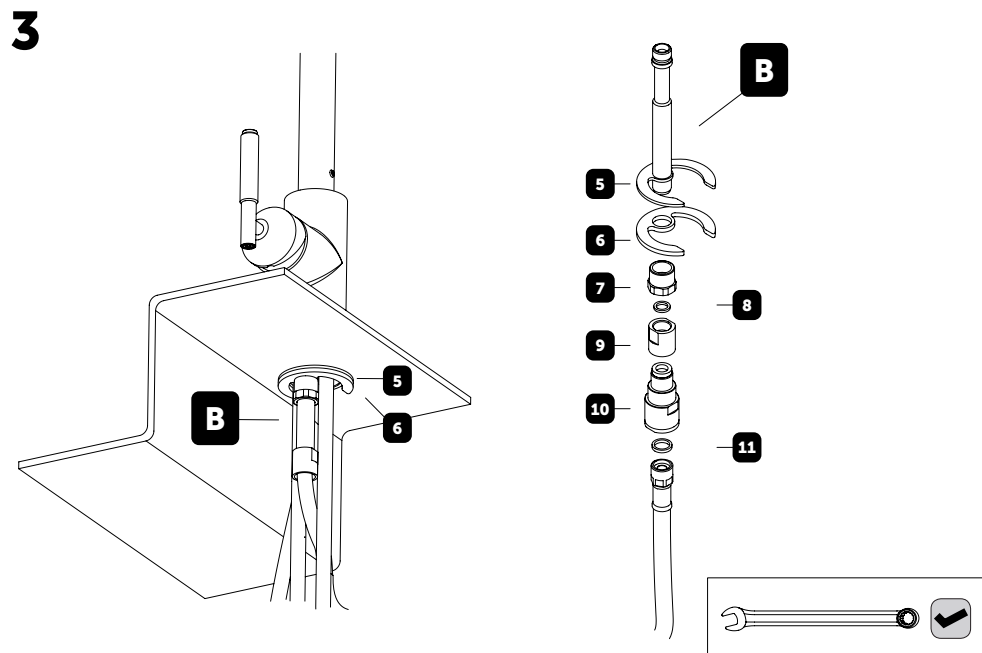
## 2b FOR SURFACES <5MM DEPTH



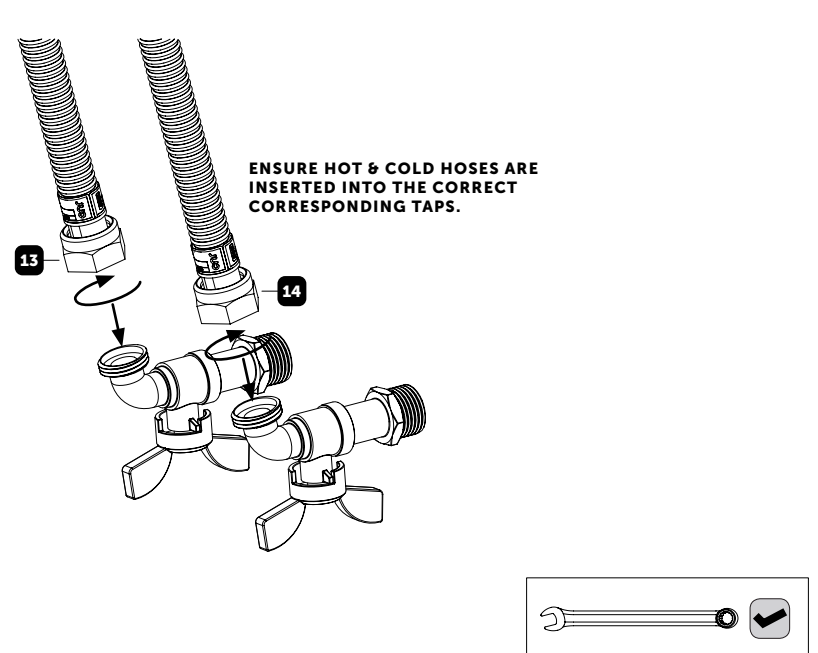
## 4



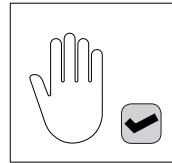
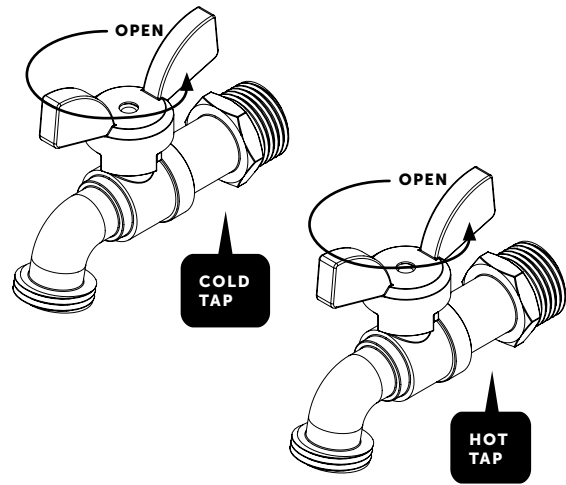
## 3



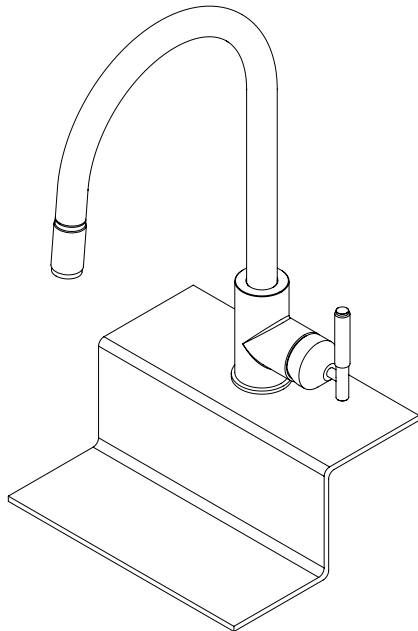
## 5



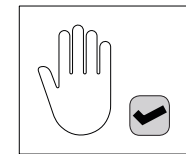
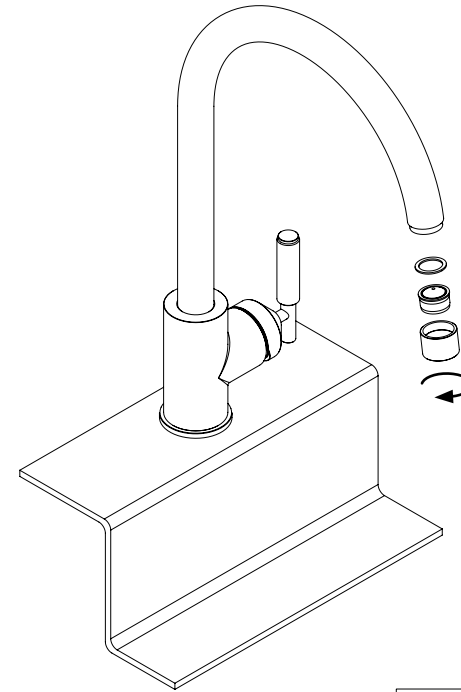
6



7



## AERATOR MAINTENANCE



RECOMMENDED TO BE CLEANED AT LEAST  
ONCE A MONTH

**NOTE: IF THERE IS A BUILDUP OF  
LIMESCALE IT MAY BE WORTH REPLACING**

[end. ORDINARY ]